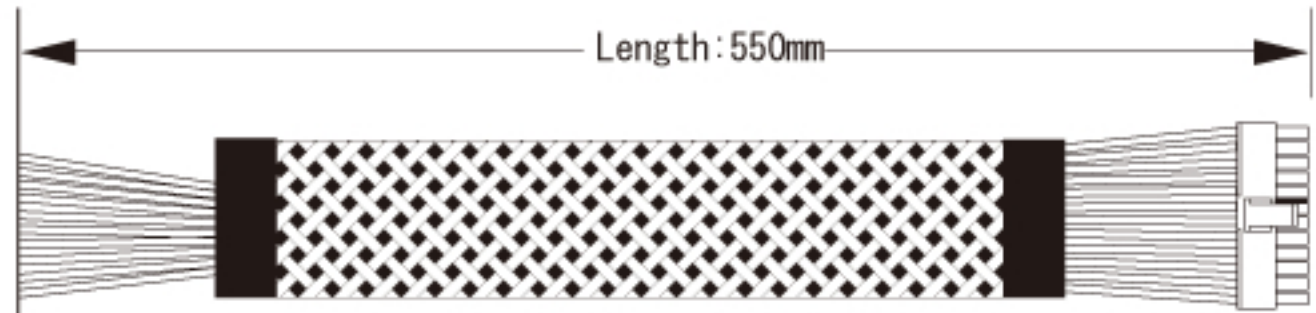


# Cables

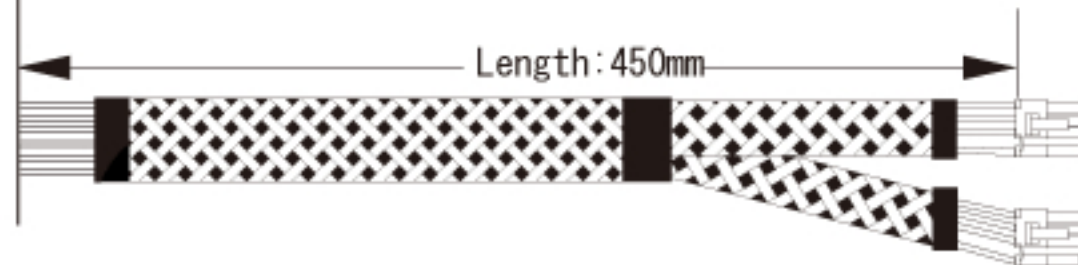
**【 24P MB 】**  
1050W x 1



**【 8P & 4+4P + 12V CPU 】**  
1050W x 1



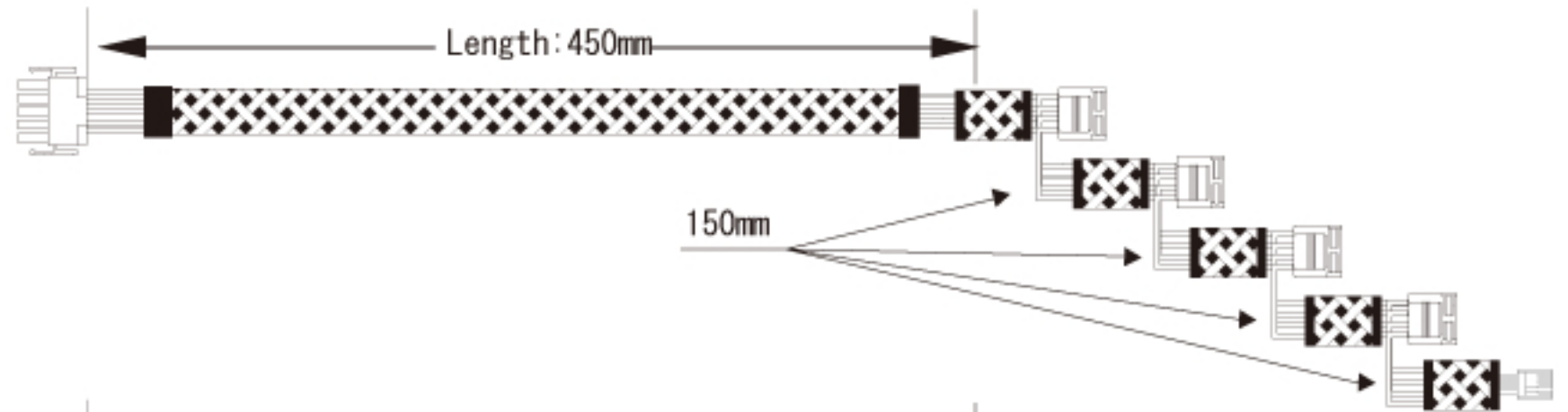
**【 2 x 6+2P PCI-E 】**  
1050W x 1



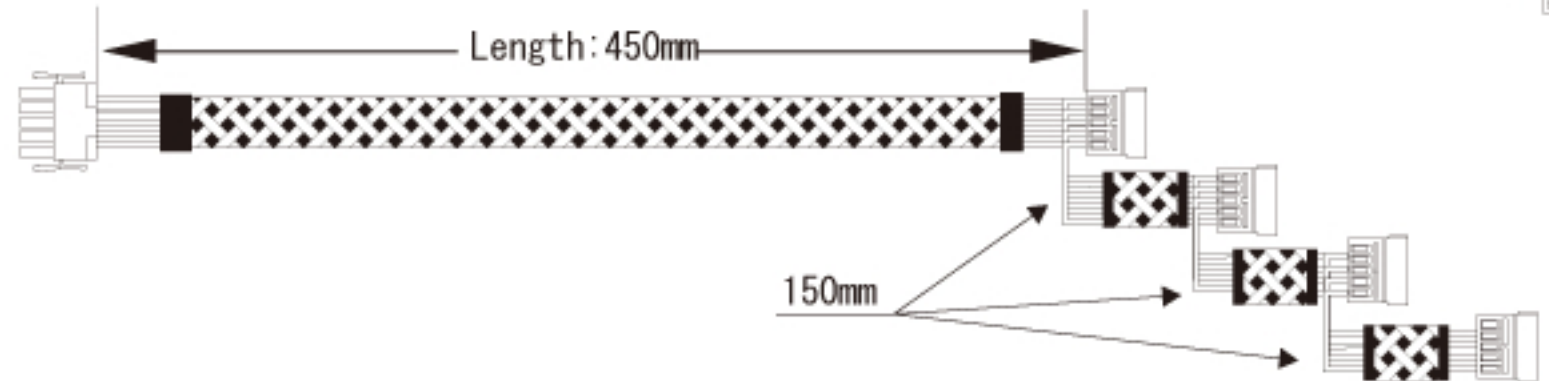
**【 2 x 6+2P PCI-E 】**  
1050W x 2



**【 4 x 4P Molex & FDD 】**  
1050W x 1



**【 4 x SATA 】**  
1050W x 2



**【 2 x SATA & 2 x 4P Molex 】**  
1050W x 2

